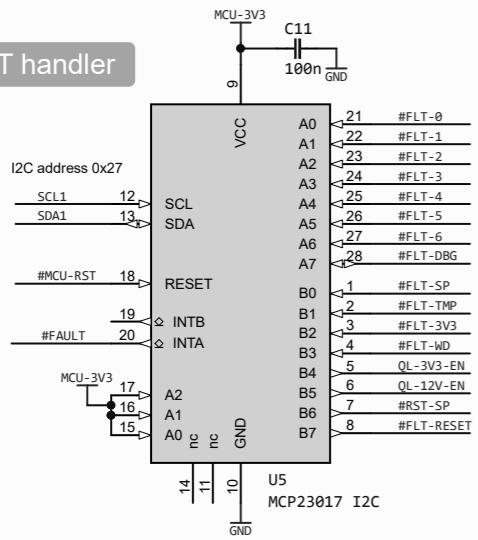
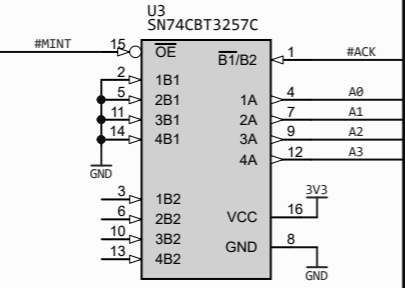


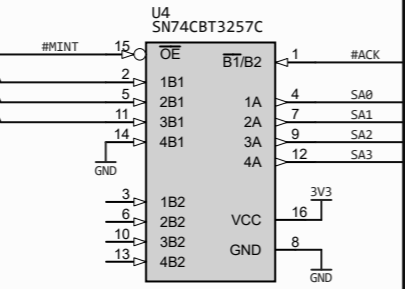
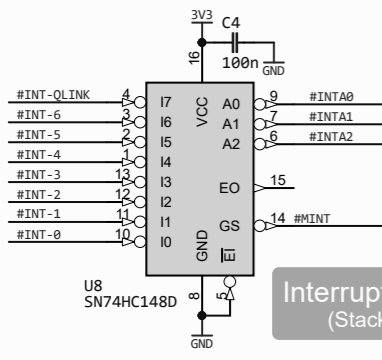
FAULT handler



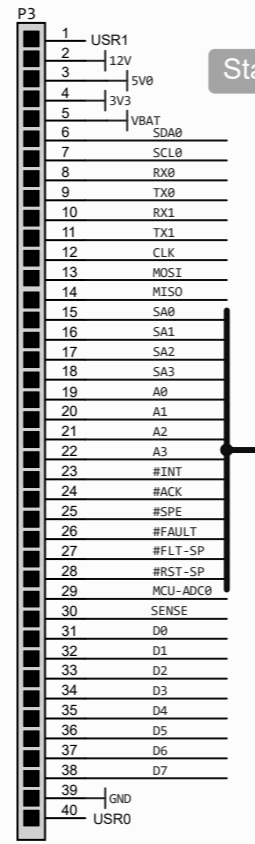
Interrupt vector generation (Stackable address 0x00)



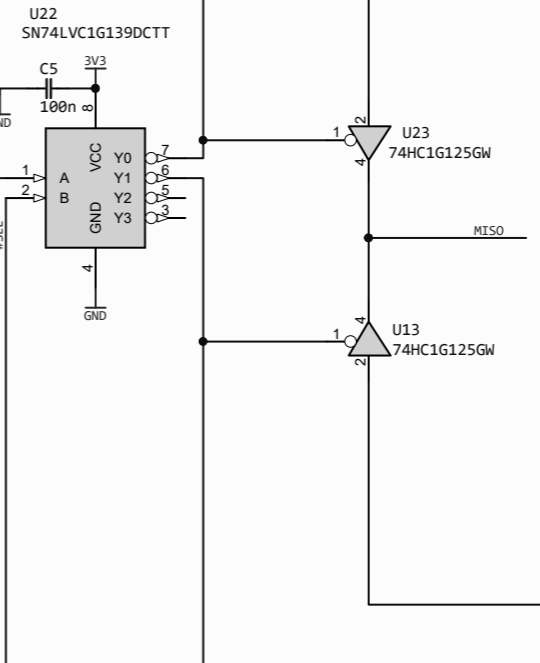
Interrupt vector generation (Stackable sub address)



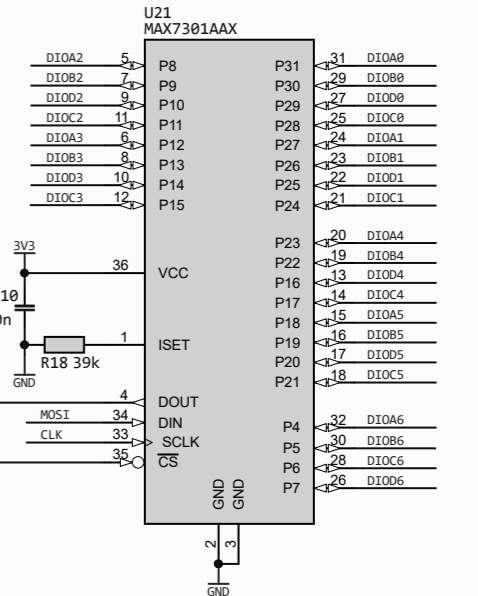
Stackplane



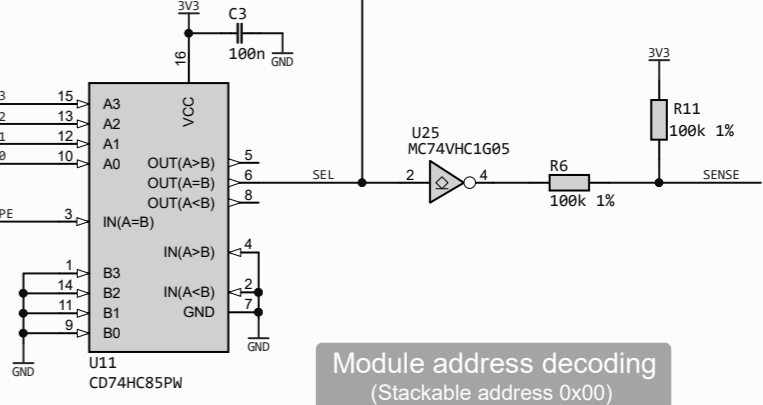
Module sub-address decoding



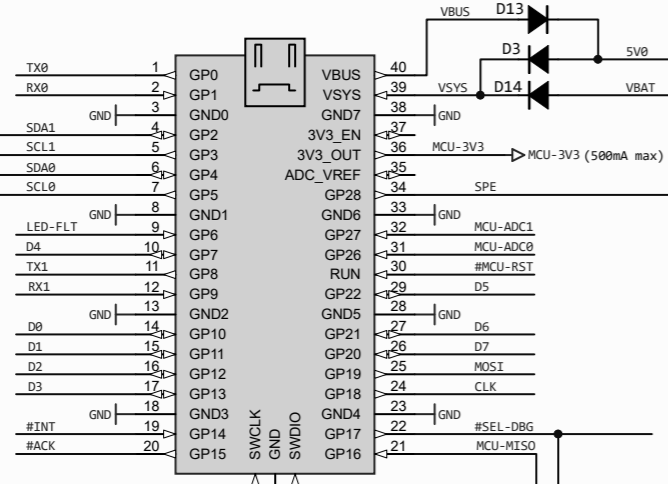
Dockable control



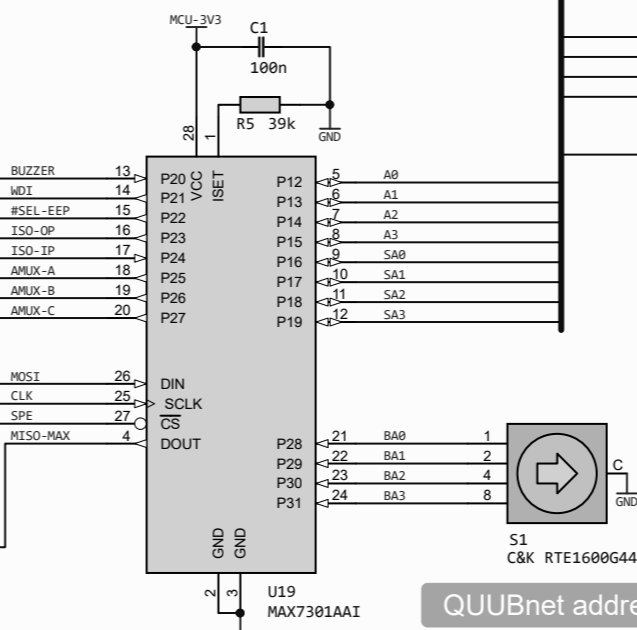
Module address decoding (Stackable address 0x00)



Raspberry Pi Pico



QUUBnet address



DRAFT